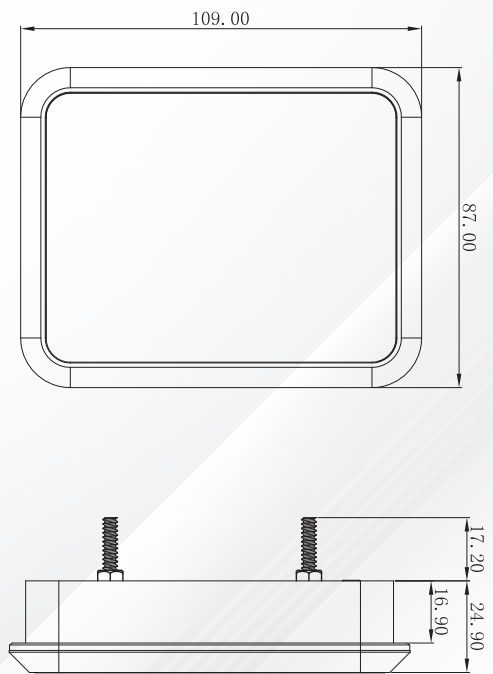
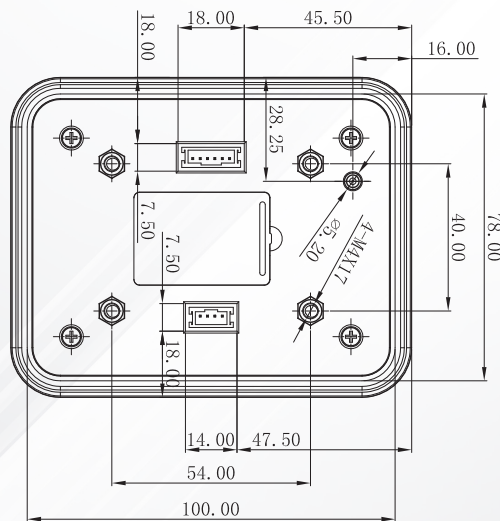


CRT-603-P260

Contactless Payment Terminal



Product Features

- Support NFC standard
- Support card reader mode, point-to-point mode
- Support Visa and Master card on L2
- Multi-card anti-collision function
- Record and read real-time transaction data logs
- Support online firmware upgrading
- Certificate: EMV L1&L2, MIR, TQM, PayPass, payWave



Specifications

Card type	IC Card ISO7816 RFID Card ISO14443 Type A & B Mifare Classic 1K (S50) , Mifare Classic 4K (S70) , Mifare Ultralight Felica (support transparent mode only) TOPAZ Card
NFC standard	Support card reader mode & P2P mode Support four-mode NFC tag
Working frequency	13.56 MHz
Power supply	DC 5.0V
Operation current	Idle: 150mA Work: 200mA Peak: 250mA
Communication interface	USB2.0 full speed device
Environment conditions	Operation: -10~60°C / 0~95%RH (Non-condensing) Storage: -40~70°C / 0~95%RH (Non-condensing)